

## 三相馬達 / Three Phase AC IP55 60Hz

型號 Model	曲線編號 Curve No.	頻率 Frequency (Hz)	功率 Output (kW)	電壓 Voltage (V)	滿載額定電流 Current (A)	靜壓 Static pressure Vacuum / Compressor (kPa)	最大風量 Max Airflow (m <sup>3</sup> /min)	噪音 Nois (dB)	重量 Weight (Kg)
HT-100-129	T6	60	0.2	220-275Δ/380-480Y	0.90Δ/0.50Y	7/7	1.2	55	6.5
HT-200-229	T7	60	0.5	220-275Δ/380-480Y	2.30Δ/1.30Y	14/16	1.8	61	11
HT-300-329	T8	60	0.85	220-275Δ/380-480Y	3.90Δ/2.25Y	14/14	3.1	64	14
HT-300-339	T9	60	1.5	220-275Δ/380-480Y	5.25Δ/3.00Y	20.5/23	3.1	64	16
HT-400-429	T10	60	1.9	220-275Δ/380-480Y	7.00Δ/4.00Y	20/20	4.4	73	23
HT-600-529	T11	60	2.6	220-275Δ/380-480Y	10.7Δ/6.20Y	22/20	6.5	77	31
HT-600-629	T12	60	3.7	220-275Δ/380-480Y	13.5Δ/7.80Y	28/27	6.5	77	34
HT-800-729	T13	60	6.3	220-275Δ/380-480Y	29.5Δ/17.0Y	29/27	11.3	79	77
HT-800-829	T14	60	8.6	220-275Δ/380-480Y	37.0Δ/21.3Y	35/39.5	11.3	79	88
HT-900-919	T15	60	11	220-275Δ/380-480Y	37.0Δ/21.4Y	18/17	22.4	81	111
HT-900-929	T16	60	15	220-275Δ/380-480Y	51.5Δ/29.8Y	28/27	22.4	81	123
HT-900-939	T17	60	22	220-275Δ/380-480Y	76.0Δ/44.0Y	36.5/42	22.4	81	145
HTDP-630-6346	T18	60	4.6	220-275Δ/380-480Y	16.2Δ/9.30Y	35/35	6.5	79	55
HTDP-630-6355	T19	60	6.3	220-275Δ/380-480Y	29.5Δ/17.0Y	42/50	6.5	79	72
HTDP-630-6375	T20	60	8.6	220-275Δ/380-480Y	37.0Δ/21.3Y	45/67.5	6.5	79	82
HTDF-640-6455	T21	60	6.3	220-275Δ/380-480Y	29.5Δ/17.0Y	18/17	9.5	79	70
HTDF-640-6475	T22	60	8.6	220-275Δ/380-480Y	37.0Δ/21.3Y	26/26	9.5	79	82
HTDP-830-8310	T23	60	8.6	220-275Δ/380-480Y	37.0Δ/21.3Y	29/29	11.3	81	112
HTDP-830-8315	T24	60	15	220-275Δ/380-480Y	52.0Δ/30.0Y	45/60	11.3	81	142
HTDP-830-8320	T25	60	22	220-275Δ/380-480Y	76.0Δ/44.0Y	47/78	11.3	81	160
HTDF-840-8410	T26	60	8.6	220-275Δ/380-480Y	37.0Δ/21.3Y	11/11	16.7	81	110
HTDF-840-8415	T27	60	15	220-275Δ/380-480Y	52.0Δ/30.0Y	23/20	16.7	81	140
HTDF-840-8420	T28	60	22	220-275Δ/380-480Y	76.0Δ/44.0Y	30/28	16.7	81	187

附註/Remark：1.上述資料供參考，如有不同以實品為主。

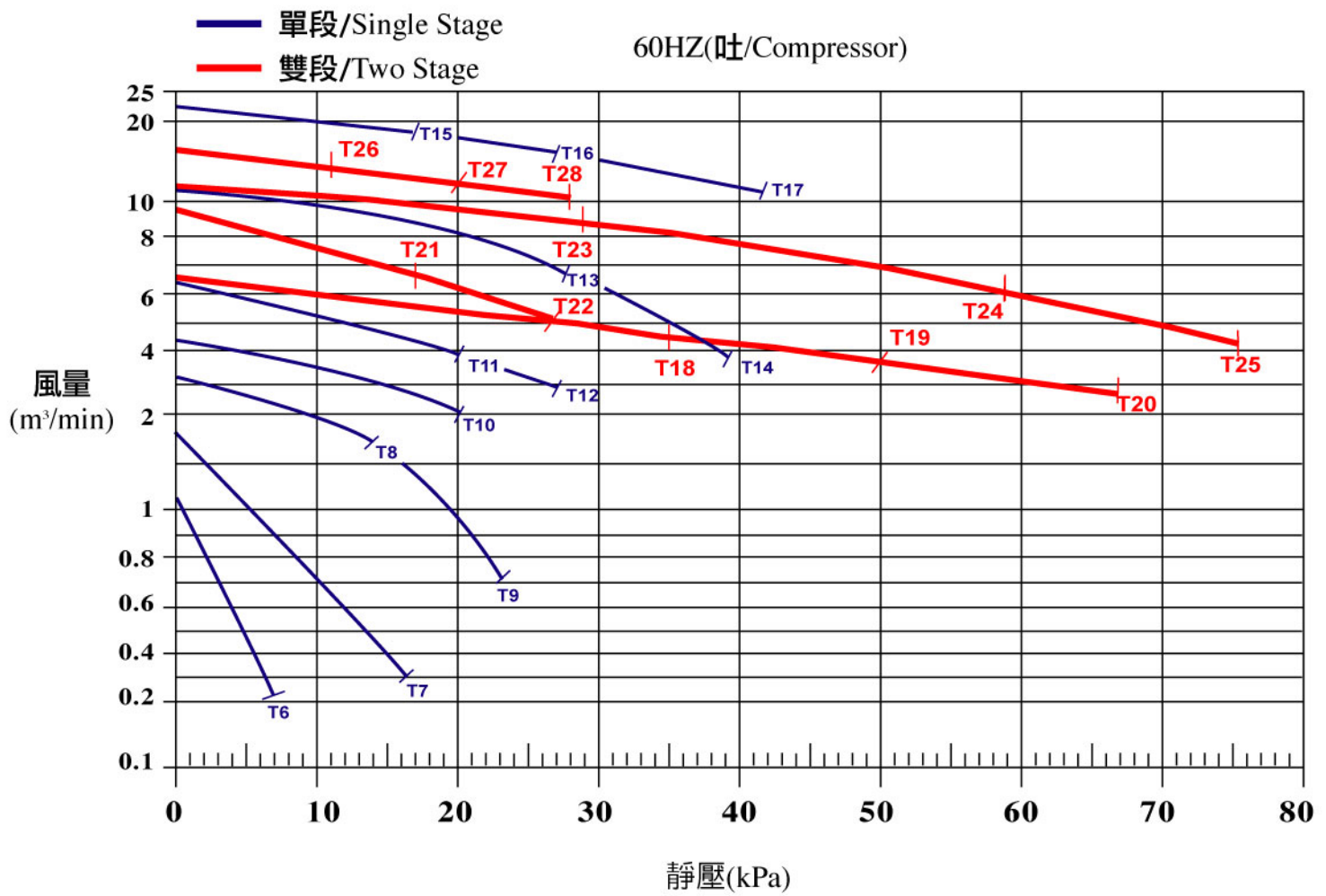
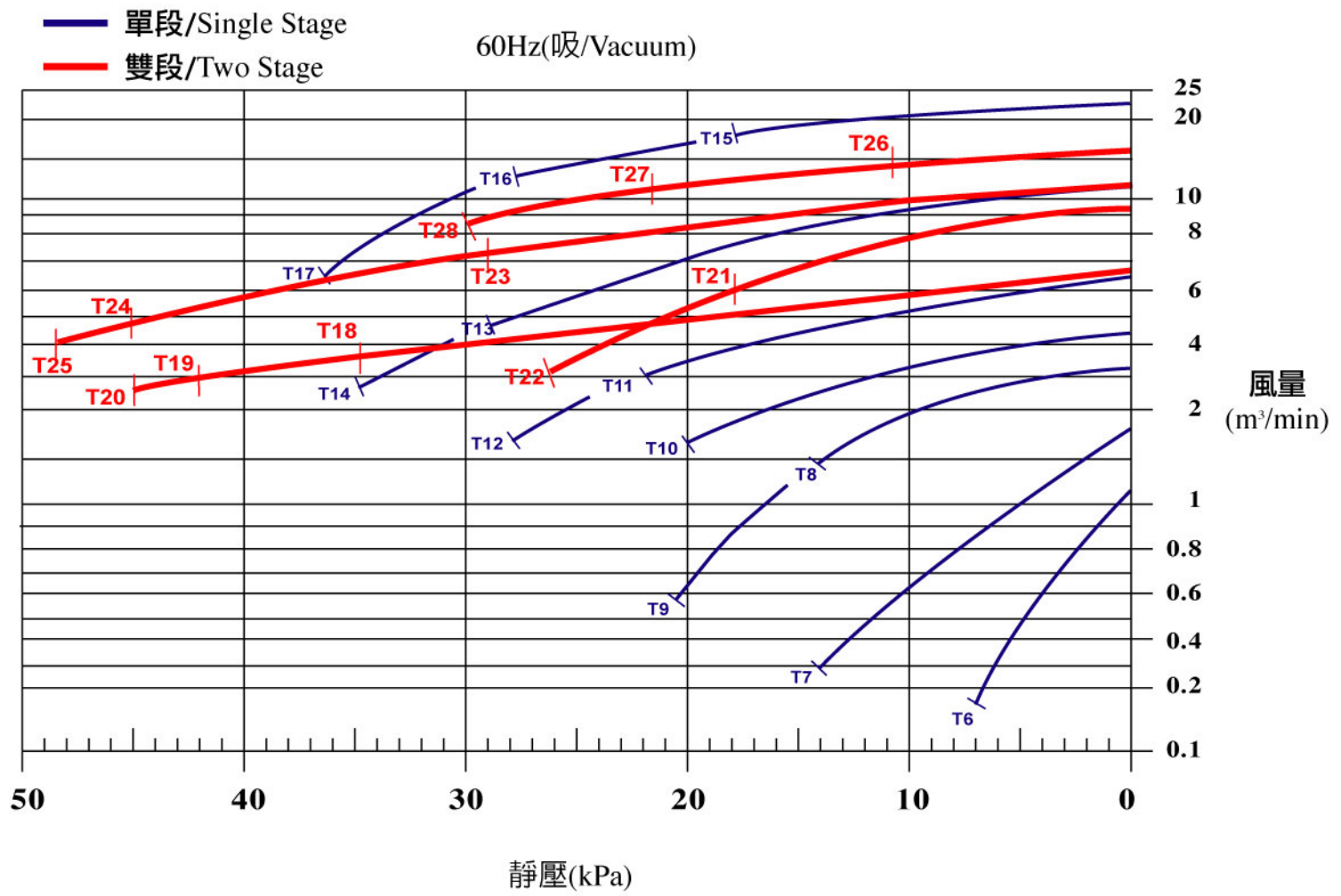
Information above is for reference, product only when different.

2.本公司保有設計變更之權利，恕不另行通知。

We reserve the right to change the design without notice.

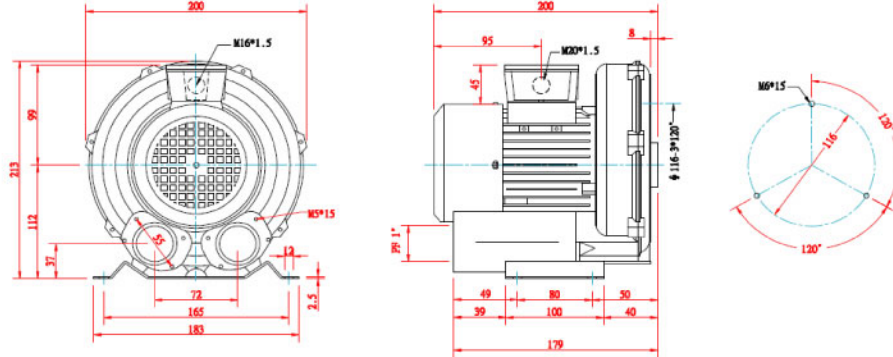
3.如有任何疑問請洽經銷商或本公司。

Should you require any further information or assistance, please do not hesitate to contact us or distributors.

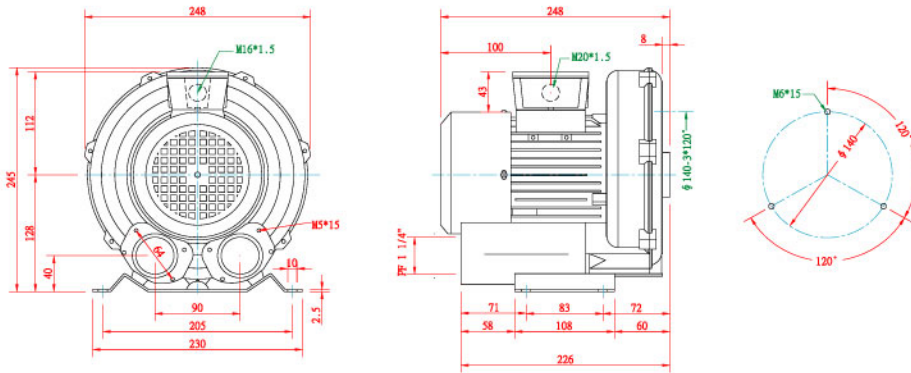


# 鼓風機之尺寸表(Dimensions)

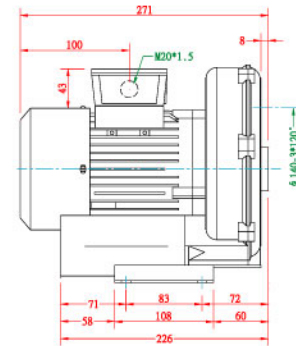
## HT-100-129 系列



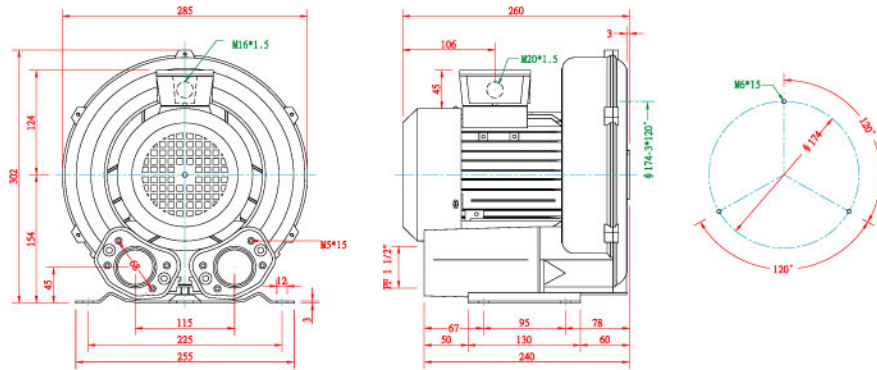
## HT-200-229 系列



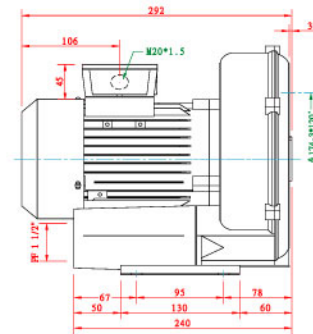
## only HT-200-229 \*W



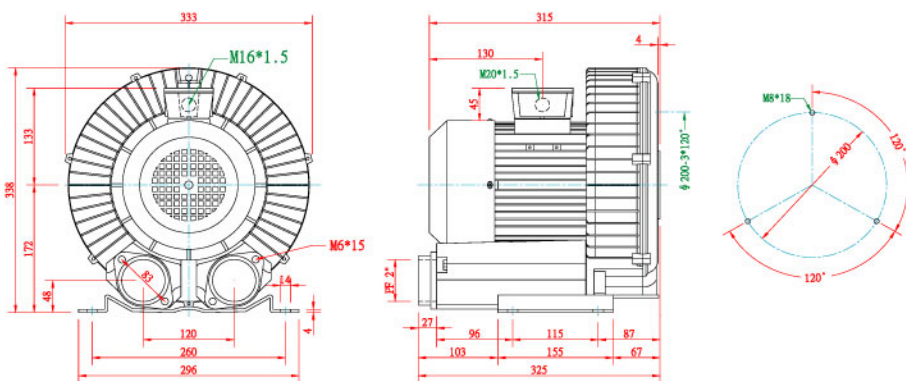
## HT-300-329 339 系列



## only HT-300-329 339 \*W



## HT-400-429 系列



## only HT-400-429 \*W

